



VIBRATION RESISTANT GAUGE

Blanes
PRESSURE SOLUTIONS CC

All stainless steel construction

APPLICATIONS

VRM series gauges are suitable for corrosive environments and gaseous or Liquid media that will not obstruct the pressure system in chemical, Petro-chemical, refining, power, marine, food and pharmaceutical Processing applications, on and offshore.

STANDARD SPECIFICATION

Petro-Chemical Gauge with Blow-out Device (Weatherproof Construction to IP65)

Sizes

63, 100 and 150 mm

Case/ Bezel

304 Stainless Steel

Socket & Element

316 Stainless Steel

Movement

Stainless Steel Construction

Blowout Protection

Blow-out plug at the back of the case

Dial

White Anodised Aluminium (Black Printing)

Pointer

Black Aluminium

Window

Safety Glass

Traceability

All instruments are individually calibrated and have a unique Serial Number.

Certification available on request

- Certificate of Conformity Traceable to SANAS Standards
- Point to Point Test Certificate
- EN 10204 3.1 Material Certification

ACCURACY CLASS EN837-1 (Optional)		
	0 - 600 bar	>600 - 1500 bar
63mm	1.0	1.6*
100mm	1.0 (0.6)	1.0
150mm	1.0 (0.6)	1.0

Scale Range

Vacuum / Compound to -1 to 0 to -1 to 24 bar

63mm gauge 0 to 1400 bar *

100 & 150mm gauges 0 to 1500 bar

Pressure Connection Thread

1/8", 1/4", 3/8", 1/2" NPT, BSP, BSPT

MAX PRESSURE EN 837-1			
THREAD	NPT (316ss)	BSP (316ss)	BSPT (316ss)
1/8"	400 bar	400 bar	400 bar
1/4"	1000 bar	1000 bar	1000 bar
3/8"	1000 bar	1000 bar	1000 bar
1/2"	1000 bar	1500 bar	1000 bar

BLANES "VRM" series pressure gauge is designed for vibration and pulsating process signals. The Vibration Resistant Movement dampens the movement of the gears, resulting the pointer to remain steady. This steadiness in the movement gears reduces wear resulting reliability and accuracy.
No need for Glycerine or Silicone filling.

Direct Mounted



- VRM-AD- Surface Mounted (Bottom Connection)
 - VRM-A- Direct Mounted (Bottom Connection)
 - VRM-BD- Flush Mounted Screw Fixing (Rear Connection)
 - VRM-D- Direct Mounted (Rear Connection)
- [See Page-2 for dimension](#)

Operating Temperature Range

-20° to 60°C (-4°F to 140°F)

[Options for lower/Higher operating ranges \(Contact Sales\)](#)

Temperature Error

Additional error when temperature changes from reference
Temperature of 20°C (68°F) ±0.4% for every 10°C (18°F) rising or Falling % of span

Optional Extras

- Micro adjustable pointer /Black finish
- Optional dial materials & Custom markings
- Laminated safety glass / Perspex window
- Orifice Restrictor Screw (standard Ø0.9mm, Ø0.4mm on request)
- Customer logo printed on dial
- Liquid filled / Suitable for liquid filling

Further options on request

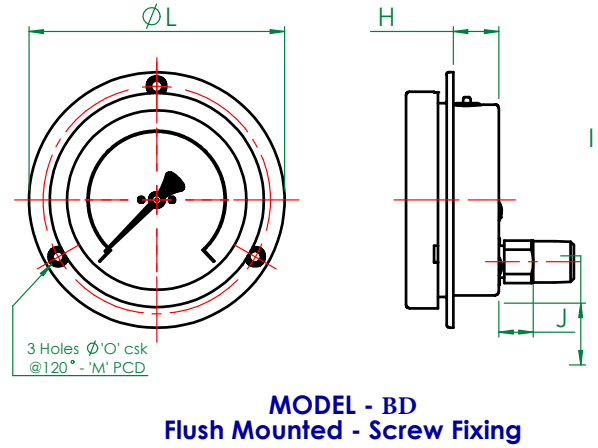
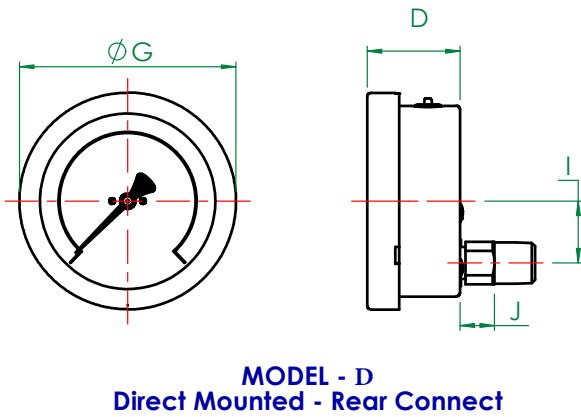
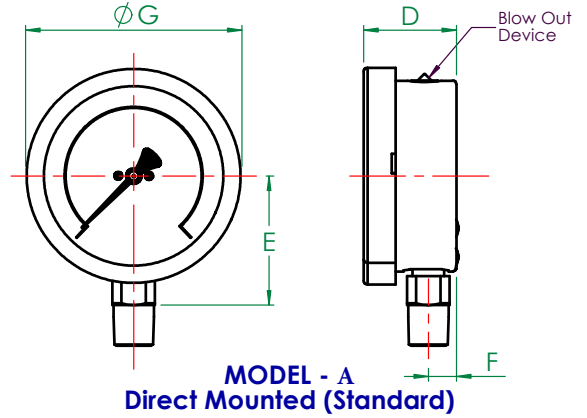
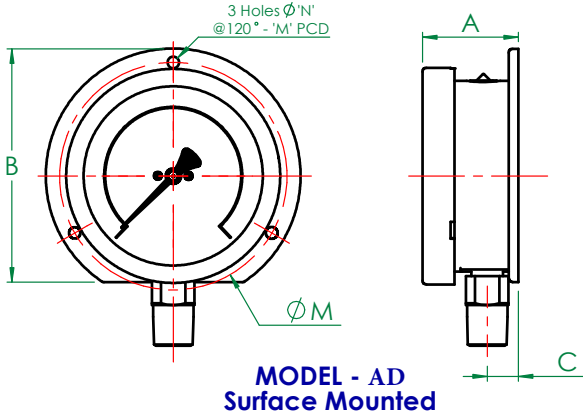
Available with a wide range of accessories

Overrange gauge protectors, Valves, Manifolds, Diaphragm seals, Swivel adaptors, etc ensures that BLANES can provide you with the right product to suit any individual application or requirement.

Ordering Parameters, Please state the following: SIZE, MODEL NO, SCALE RANGE, CONNECTION, PRESSURE MEDIUM & OPTIONAL EXTRAS

Specifications and dimensions in this leaflet, are subject to change without prior notice.

All stainless steel construction Pressure Gauges



General Arrangement Dimensions in mm, tol' ± 1 mm

DIM ϕ mm	A	B	C	D	E	F	G	H	I	J	K	L	M	N	O	CUT OUT
63 (2½")	34.5	85	12.5	32	41.8	9.5	64	21.5	18	13	62	85	75	3.5	3.8	66
100 (4")	50.7	132	16.2	49	66.9	14.5	101	24.5	32	18	99	132	118	6	6	106
150 (6")	52.7	194	18.4	50	92.1	15.2	161	24	32	17.8	148	194	168	5.8	5.8	153