

Models-2042, 2043, 2047 Bi-Metal Stainless Steel Thermometer

Temperature element
Bi-Metal System

Case
304 Stainless Steel
Weatherproof Construction

Bezel
304 Stainless Steel

Dial
Matte White Aluminium (Black Printing)

Pointer
Black Aluminium

Stem
Stainless Steel
(Dia 6,8,10,12mm)
(Length 100mm to 1000mm)

Window
Sheet Glass

Standard Size
63, 100, 150 mm

Accuracy class
1.5%

Scale Range
- 50 up to 600 deg C.

Thermowells
See separate data sheet for details.

Optional extras
Case: AISI 316 Stainless Steel & Bezel (Bayonet type)
Weatherproof Construction.
Pointer: Slot adjustable Black Finish.
Stem: Stainless Steel
Window: laminated Safety Glass / Perspex.
Thermowells per DIN or to user specification.
Also available in Mild Steel Case with Brass Stem.
Additional Variations: On request.

Ordering information
State:- Thermometer gauge model
/ Nominal size / Scale range
/ Size of connection / Optional extras reqd.

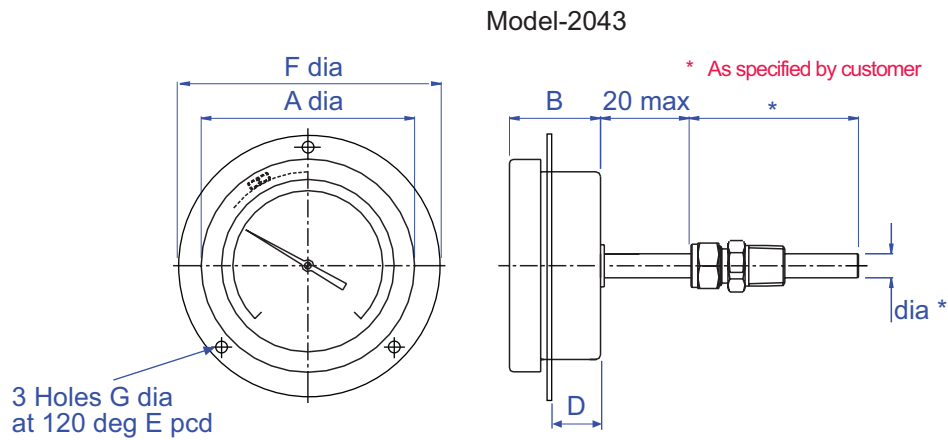
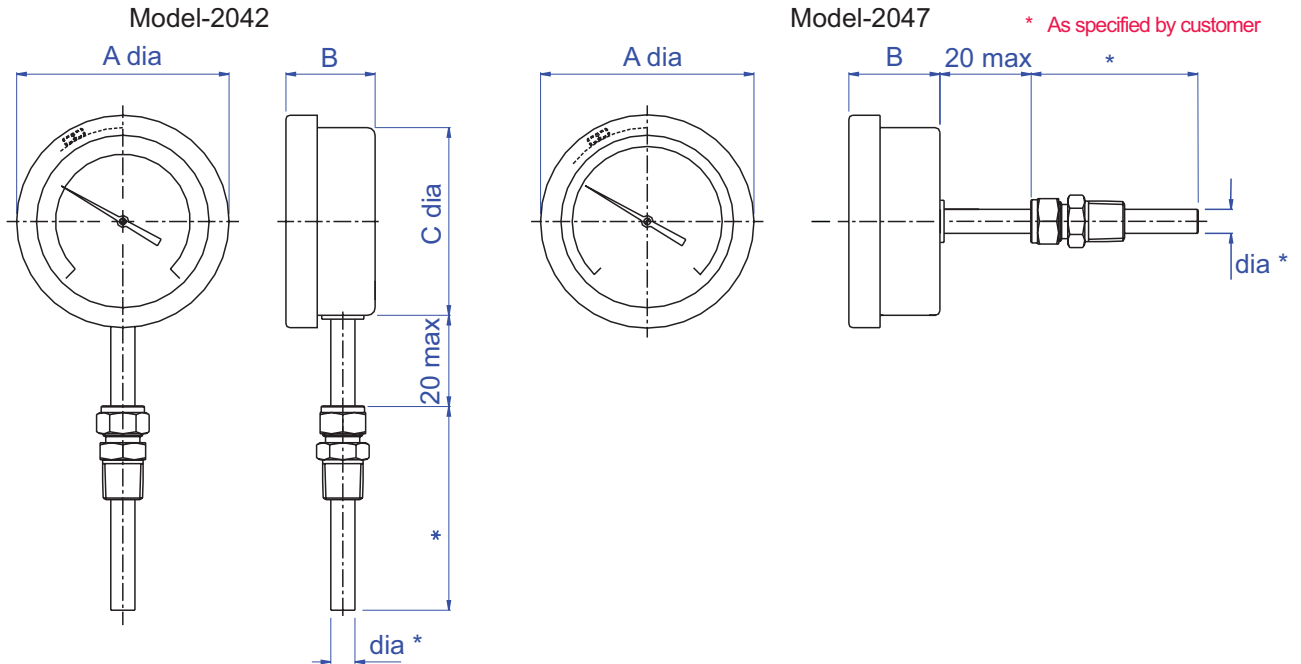


Model - 2042

We manufacture a wide range of instruments to customer's special requirements
We shall be pleased to discuss and advise on your specifications.

Specifications and dimensions given in this leaflet represent the state of engineering at the time of printing.
Engineering modifications may take place without prior notice.

Models-2042, 2043, 2047 Bi-Metal Stainless Steel Thermometer



Dial Size	Case Matl	A	B	C	D	E	F	G	Cut Out
63mm	Mild/Steel	65	43	65	36	78	90	4	70
63mm	St/Steel	70	36	62	20	75	85	3.8	66
100mm	Mild/Steel	103	45	103	39	121	134	5	112
100mm	St/Steel	112	48	99	26	115	132	4.2	106
125mm	Mild/Steel	N/A							
125mm	St/Steel	128	48	115	30	137	159	5.2	121
150mm	Mild/Steel	152	45	152	39	175	185	5	160
150mm	St/Steel	173	48	159	26	178	196	6	165