

SLC-94

SIMFACT II

- ▣ timer
- ▣ START/STOP pulse inputs
- ▣ counter reset input
- ▣ 2 relay / OC outputs
- ▣ RS-485 / Modbus RTU

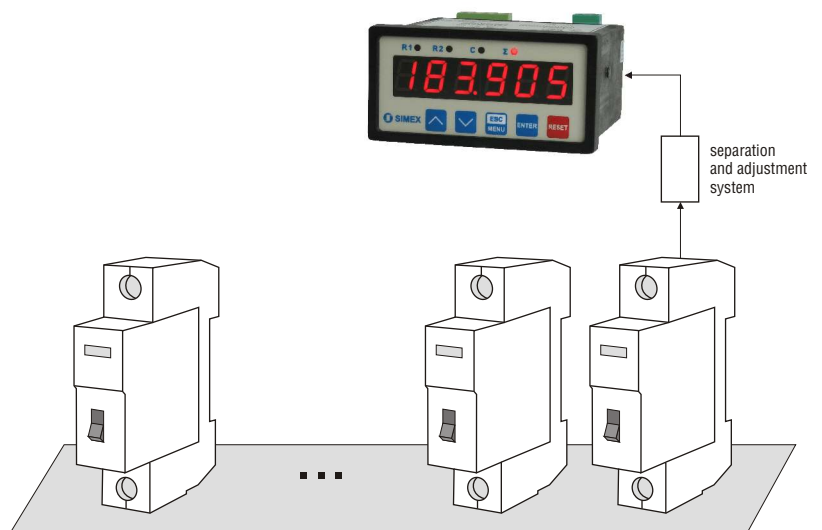


SLC-94 is designed for precision time (period) measurements, e.g. duration of time interval and measurements of machine's operating time. Signals from push-buttons or contactors of control devices are connected to the terminals placed on back side of the counter. Properly programmed counter allows to measure time period between {START} and {STOP} signals. Other configuration allows to measure the activity time of {START} signal. In addition the measure can be started, stopped and cleared using local keyboard (on front of the device) or via RS-485 interface. Apart from basic function of time counting, totalizer is also available. Both counters are triggered and stopped simultaneously. Time counting is realised in range 0 ms to 999 99.9 hours. Build in two relay outputs allow use of this counter for control in many time depend processes.

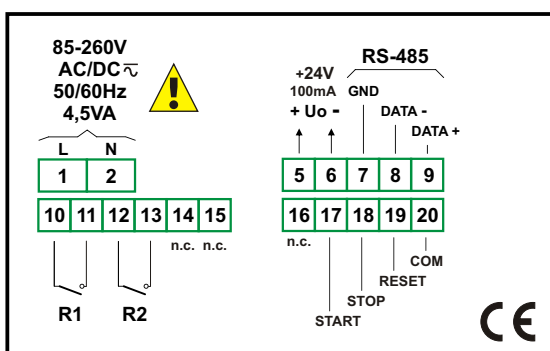
- 2 counter reset sources: manual or electronic,
- keypad operation option,
- wide range of precision and presentation formats of timer and totalizer,
- password protection,
- versions available with AC and DC power supply.

Typical applications

1. Measuring the activation time of residual current circuits breakers (RCCB) in the test phase.



Exemplary pin assignment



Technical data

Power supply: 19V + 50V DC; 16V + 35V AC or 85 + 260V AC/DC
Power consumption: for 85 + 260V AC/DC and 16V + 35V AC power supply: max. 4,5 VA; 19V + 50V DC power supply: max. 4,5 W
Display: LED, 6 x 13 mm high, red (green - on request)
Displayed values range: depending on the display format (max. 0 ms + 999 99.9 h)
Inputs: pulse, galvanically isolated
 START input - start count
 STOP input - stop count
 RESET input - counter reset
 COM input - common
Input levels: low 0 V + 1 V; high 10 V + 30 V
Resolution: 1 ms
Inputs sampling frequency: > 10 kHz
Minimum time between input signals edges: 500 μs
Accuracy: ± 0,005 % of displayed value (at +25°C)
Temperature stability: ± 0,005 % (at 0°C + +50°C)
Outputs: 2 relays 1A/250V AC (cosφ=1) or the OC 30mA/30VDC/100mW
Transducer power supply output: 24V DC +5%, -10% / max. 100 mA, stabilized, not insulated from communication interface
Communication interface: RS-485, 8N1 and 8N2, 1200 bit/s + 115200 bit/s, Modbus RTU (not galvanically isolated)
Data memory: non-volatile memory, EEPROM type
Operating temperature: 0°C + +50°C
Storage temperature: -10°C + +70°C
Protection class: IP 65 (front side when an additional frame is installed); IP 40 (front side); IP 20 (case and connection clips)
Case: board
Case material: NORYL - GFN2S E1
Case dimensions: 96 x 48 x 100 mm
Panel cut-out dimensions: 90,5 x 43 mm
Installation depth: min. 102 mm
Board thickness: max. 5 mm

Ordering

SLC-94-242X-1-X-XX1

options:

- 00 : no options
- 01 : IP 65

power supply:

- 3 : 24V AC/DC
- 4 : 85V - 260V AC/DC

type of outputs:

- 1 : REL
- 2 : OC