

Features

- Magnet-helix indicating mechanism ideal for low DP measurement
- A wide selection of ranges from 0Pa to 60Pa at up to 2.5KPa
- Accuracy 2% of FS
- Inertia-free, drift-free pointer indication
- Identical mounting dimensions to Model 2000 from Dwyer
- OEM solutions available

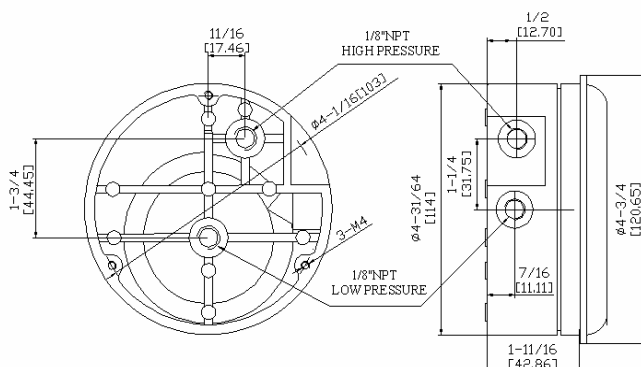
Indicating Mechanism

When pressure is applied to both sides of the diaphragm in operation, any difference in pressure causes the diaphragm, the spring that the diaphragm is linked to, and the magnet attached to the spring to move. The movement of the magnet forces the magnetic helix to turn in order to maintain the gap, and the pointer fixed to the helix turns with it.

Applications

The series A2 DP gauges are designed to measure positive, negative, or differential pressure of low air and non-corrosive gases with a full span accuracy of 2% at a competitive price. They are widely used for filter condition checks, HVAC control, and the measurement of fan and blower pressures, air velocity, and pressure drop across orifice plates applications, as well as other applications in the pharmaceutical and semiconductor manufacturing industry.

Dimensional Outline Drawings



Specifications

Service: Air and non-combustible, compatible gases

Ranges: See Range Selection Chart

Accuracy: $\pm 2\%$ of full span at 21°C ($\pm 3\%$ on A2-0.50IN, A2/Z-0.5IN, A2-10MM, A2-100Pa, A2-125Pa and $\pm 4\%$ on A2-0.25IN, A2-6MM, A2-60Pa ranges)

Ambient Temperature: $-7 \sim 60^{\circ}\text{C}$

Pressure Limit: $-68 \sim 100\text{KPa}$

Overpressure: Relief plug opens at approximately 25Psig (172KPa)

Process Connections: 1/8" female NPT duplicate high and low pressure taps: one pair side and one pair back

Case and Bezel Material:

Die cast aluminum

Weight: 460g

Dial Size: 4" Diameter

Mounting Position: Vertical

Standard Accessories: Two 1/8" NPT plugs for duplicate pressure taps, two 1/8" pipe thread to rubber tubing adapter, and three flush mounting adapters with screws

Range Selection Chart

Model No.	Range (inH ₂ O)	Model No.	Range Zero Center (inH ₂ O)	Model No.	Range (mmH ₂ O)	
A2-0.25IN**	0-0.25	A2/Z-0.5IN*	0.25-0-0.25	A2-6MM**	0-6	
A2-0.50IN*	0-0.50	A2/Z-1.0IN	0.5-0-0.5	A2-10MM*	0-10	
A2-1.0IN	0-1.0	A2/Z-2IN	1-0-1	A2-25MM	0-25	
A2-2.0IN	0-2.0	A2/Z-4IN	2-0-2	A2-50MM	0-50	
A2-3.0IN	0-3.0	A2/Z-10IN	5-0-5	A2-80MM	0-80	
A2-4.0IN	0-4.0	A2/Z-20IN	10-0-10	A2-100MM	0-100	
A2-5.0IN	0-5.0	A2/Z-30IN	15-0-15			
A2-6.0IN	0-6.0					
A2-8.0IN	0-8.0	Model No.	Range (Psi)	Model No.	Range (cmH₂O)	
A2-10IN	0-10	A2-1PSI	0-1	A2-15CM	0-15	
A2-15IN	0-15	A2-2PSI	0-2	A2-20CM	0-20	
A2-20IN	0-20	A2-3PSI	0-3	A2-25CM	0-25	
A2-25IN	0-25	A2-4PSI	0-4	A2-50CM	0-50	
A2-30IN	0-30	A2-5PSI	0-5	A2-80CM	0-80	
A2-40IN	0-40	A2-10PSI	0-10	A2-100CM	0-100	
A2-50IN	0-50	A2-15PSI	0-15	A2-150CM	0-150	
A2-60IN	0-60	A2-20PSI	0-20	A2-200CM	0-200	
A2-80IN	0-80	A2-30PSI	0-30	A2-250CM	0-250	
A2-100IN	0-100			A2-300CM	0-300	
A2-150IN	0-150					
Model No.	Range (Pa)	Model No.	Range (KPa)	Model No.	Zero Center Ranges	
A2-60Pa**	0-60	A2-1KPa	0-1	A2/Z-20MM	10-0-10 mmH ₂ O	
A2-100Pa*	0-100	A2-1.5KPa	0-1.5	A2/Z-4CM	2-0-2 cmH ₂ O	
A2-125Pa*	0-125	A2-2KPa	0-2	A2/Z-10CM	5-0-5 cmH ₂ O	
A2-250Pa	0-250	A2-3KPa	0-3	A2/Z-30CM	15-0-15 cmH ₂ O	
A2-300Pa	0-300	A2-4KPa	0-4	Dual Scale English/Metric Models		
A2-500Pa	0-500	A2-5KPa	0-5			
A2-750Pa	0-750	A2-8KPa	0-8	Model No.	Range	Range
		A2-10KPa	0-10	A2/D-0.5	0-0.5 inH ₂ O	0-125Pa
Zero Center Ranges		A2-15KPa	0-15	A2/D-1.0	0-1.0 inH ₂ O	0-250Pa
Model No.	Range	A2-20KPa	0-20	A2/D-2.0	0-2.0 inH ₂ O	0-500Pa
A2/Z-250Pa	125-0-125Pa	A2-25KPa	0-25	A2/D-3.0	0-3.0 inH ₂ O	0-750Pa
A2/Z-500Pa	250-0-250Pa	A2-30KPa	0-30	A2/D-4.0	0-4.0 inH ₂ O	0-1.0KPa
A2/Z-1KPa	0.5-0-0.5KPa			A2/D-6.0	0-6.0 inH ₂ O	0-1.5KPa
A2/Z-3KPa	1.5-0-1.5KPa			A2/D-8.0	0-8.0 inH ₂ O	0-2.0KPa
				A2/D-10	0-10 inH ₂ O	0-2.5KPa

* Accuracy $\pm 3\%$, and these ranges calibrated for vertical scale position

** Accuracy $\pm 4\%$, and these ranges calibrated for vertical scale position

