

# KARI

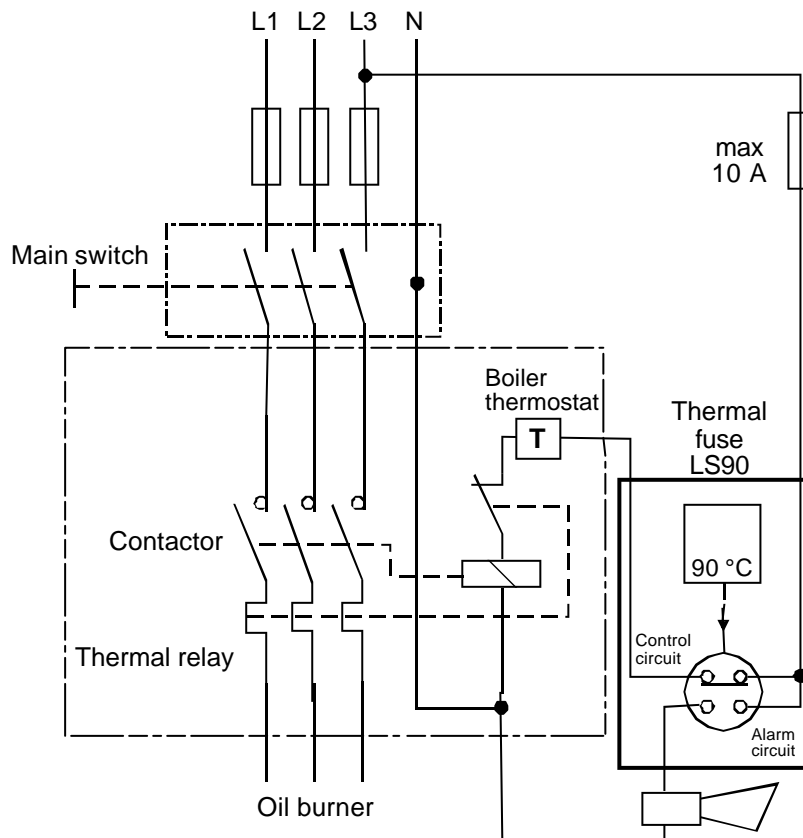
## THERMAL FUSE LS 90



Thermal fuse LS 90 is meant for use in e.g. heating stations using oil as their energy source. There are two circuits in LS 90, one of which is used to control the oil burner and the other one makes the alarm. In case of fire the fuse will cut off the oil burner control circuit thus stopping oil pumping to the station. At the same time the other circuit makes the alarm.

LS 90 consists of two parts: contact block and fuse block. The metal in the fuse block melts at a temperature of 90 °C allowing contact block to change state.

**NOTE: Never assemble LS 90 to a place where temperature rises in normal conditions higher than 40 °C.** The metal used in the fuse softens by ageing in this temperature and might cause false alarm.



### TECHNICAL DATA

Tightness	IP44
Rated current	5A
Voltage	250 V AC

Thermal fuse LS90 is ment to installed near the oil burner and usually under it.



**KARI-FINN OY**  
SIREENINTIE 24, 15230 LAHTI, FINLAND  
☎ +358 3 876 810 Fax +358 3 784 1332

Internet: [www.kari-finn.fi](http://www.kari-finn.fi)  
e-mail: [kari-finn@kari-finn.fi](mailto:kari-finn@kari-finn.fi)