



ALIAMAG

Converter For Electromagnetic Flowmeter

Model AMC4000 Series

GENERAL

ALIAMAG AMC4000 series is a battery powered converter be used with AMF series sensor in both compact or separate version.

FEATURES

- Battery supply feed with 2~3 years life in normal working condition.
- Accuracy of +/-0.3% value of reading
- Bi-directionally measure flow and pulse output
- 3 lines of LCD display flowrate and totalizer
- Store 99 times of flowrate & totalizer for power on/off
- IP67/IP68 protection class

STANDARD SPECIFICATION



- Excitation : square wave
- Display : 3 lines of LCD
 - Page 1/ Line 1 : 5-digit flowrate
 - Page 1/ Line 2 : 11-digit forward totalizer
 - Page 1/ Line 3 : Battery status, flow velocity
 - Page 2/ Line 1 : 11-digit totalizer
 - Page 2/ Line 2 : 11-digit reverse totalizer
 - Page 2/ Line 3 : Display instantaneous velocity
 - Page 3 : Alarm
- Flow Unit : M3/Hr , M3/min , M3/sec , L/Hr , L/min
L/min , GPH , GPM , GPS
- Totalizer Unit : M3 , Gallon , Liter
- Measuring Range : Min. 0 ~ 0.15 m/s
: Max. 0 ~ 15.0 m/s
- Accuracy : +/-0.3% of reading (velocity ≥ 0.5 m/s)
: +/-0.0015 m/s (velocity < 0.5 m/s)
- Repeatability : +/-0.05% of reading
- Pulse Output : Open collector
Load : 3 ~ 30 Vdc, max. 20 mA
- Pulse Rate : 1) Scaled pulse (Liter/Pulse, other)
: 2) Frequency: 1~5000 Hz
- Keys : 4 control keys can change parameters
and switch display interface
- Damp Time : 0.1~99.9 s
- Data Storage : Operation parameters and totalizer are
stored by EEPROM for more than 10 years
- Low Flow Cutoff : 0 ~ 9.9 %
- Self Diagnosis : The following errors during application
can be indicated
 - Coil failure
 - Power failure
 - Overlarge output
 - Internal error
 - Overlarge flow
 - Empty pipe
- Cable Entry : PG11
- Protection Class : IP 67
: IP 68(Submersible)
: Explosion Proof, Exd(ib)ibqIIBT5
- Ambient Temp. : -25 ~ +65 °C
- Housing Material : Aluminum alloy
- Power Supply : 3.6V battery supply
- Battery Life : 2~3 years
Determined by size & function
- Communication Protocol : RS 485(MODBUS protocol)
- Weight : 2.0 Kg (Compact)
4.3 Kg (Separate)
- Mounting : Wall mounting
Bracket on 2" pipe
Compact version(Install on sensor)

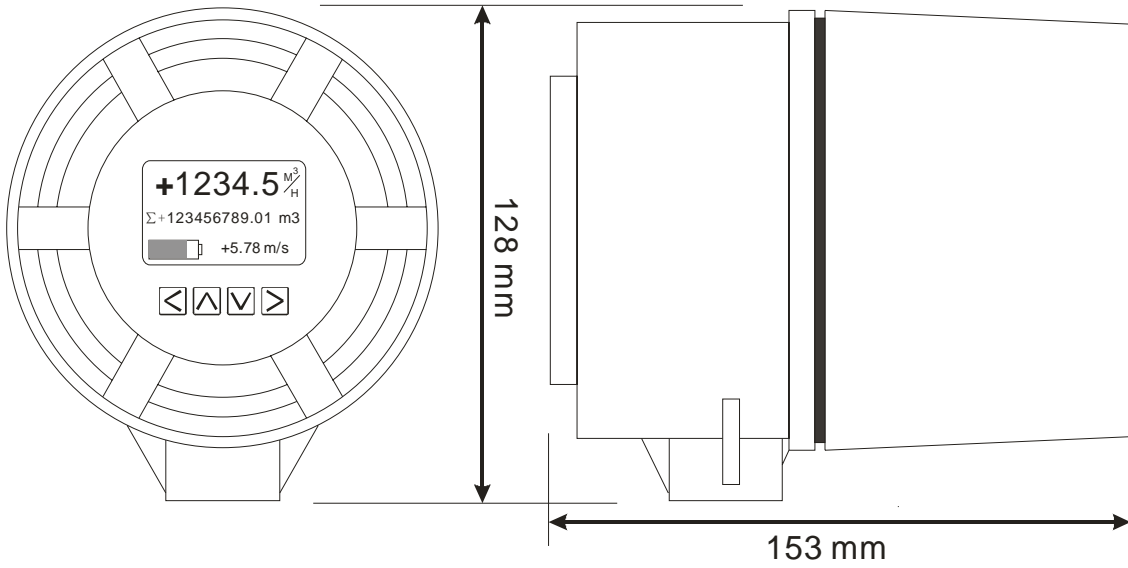


ALIA GROUP INC.

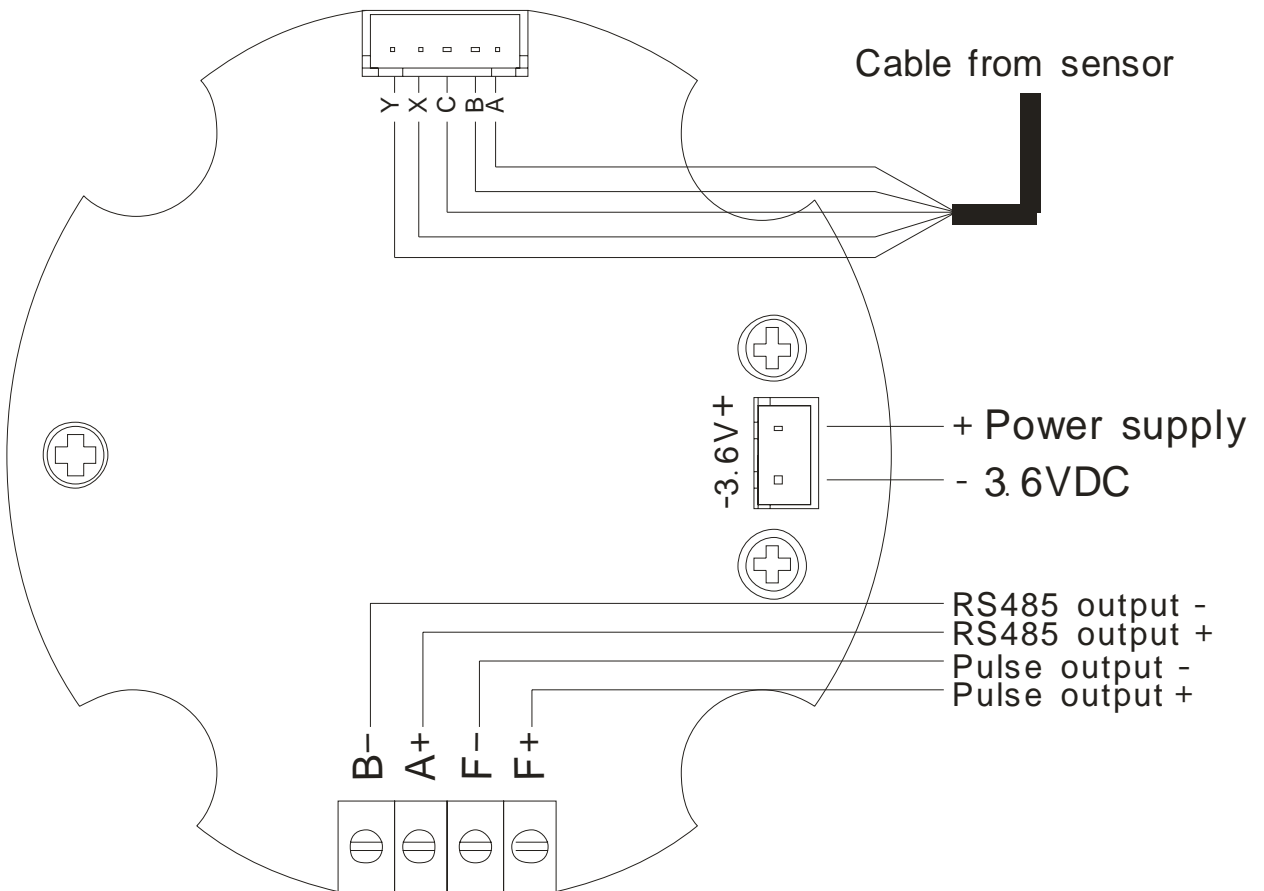
113 Barksdale Professional Center, Newark, DE 19711, USA
TEL : + 1 - 302 - 213 - 0106 FAX : + 1 - 302 - 213 - 0107

URL : www.alia-inc.com
E-mail : alia@alia-inc.com
AMC4000V1.1.7en

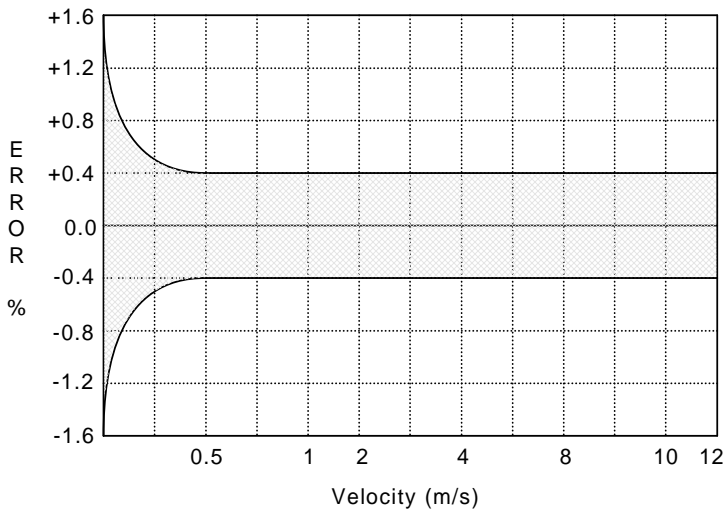
➤ DIMENSION



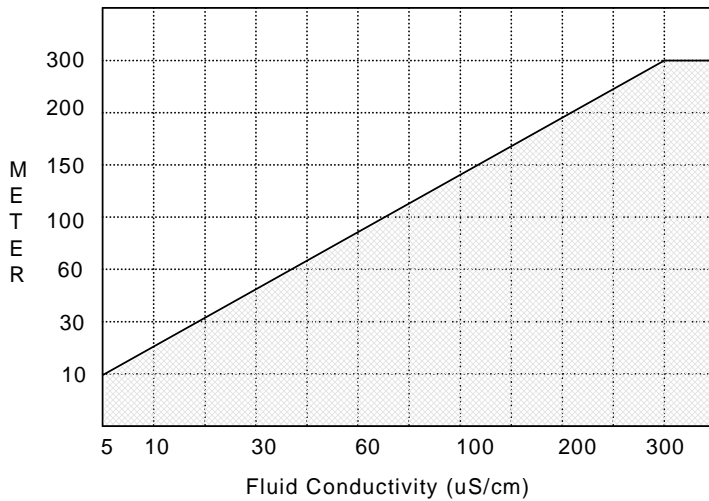
➤ ELECTRICAL CONNECTION



➤ ACCURACY



➤ CABLE LENGTH BETWEEN SENSOR TO CONVERTER

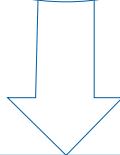


➤ MODEL SELECTION GUIDE

AMC4000 Series				
Example: AMC4000-CP-NN-NN				
AMC4000-	XX-	XX-	XX	Description
Mounting	CP-			Compact with sensor
	SW-			Separate, wall mounting
	S2-			Separate, 2" mounting bracket
Protection		NN-		IP 67
			68-	IP 68(Submersible)
Option			NN	None
			BT	External Battery power sets
			EX	Explosion Proof, Exd(ib)IBT5

➤ STRUCTURE

Separate Type



Compact Type