



# ALIAMAG

## Converter For Electromagnetic Flowmeter

### Model AMC3100 Series

## GENERAL

ALIAMAG AMC3100 series Converter can be used with AMF series flow tubes in both compact or separate versions.

## FEATURES

- Three line LCD display Flow rate/Totalizer
- Accuracy of +/-0.2% value of reading
- Bi-directional flow measurement, current and pulse output
- Explosion Proof, Exd(ib)ibqllBT5
- 99 times flowrate records for power on/off
- MODBUS/HART communication

## STANDARD SPECIFICATION

- Excitation : Square wave
- Display : 3 lines LCD with illumination
  - Line 1 : 11 digit totalizer for forward flow
  - : 11 digit totalizer for reverse flow
  - : 11 digit totalizer for difference
  - Line 2 : 5 digit flowrate / Velocity / % / mA / HZ
  - Line 3 : Parameter / Query / Clr tot / Query LOG
  - Alarm, Guidance
  - Unit : M3/H , L/H , Kg/H , T/H , L/min
  - : M3/min , GPH , GPM
- Measuring Range : Min. 0 to 0.15 m/s
- : Max. 0 to 15 m/s
- Accuracy : +/-0.2% read-out values (Velocity >= 0.5 m/s)
- : +/-0.001 m/s (Velocity < 0.5 m/s)
- Repeatability : +/-0.05% read-out values
- Current Output : 4-20 mA (Isolated)
- Load : Max. 600 W
- Pulse output : Open collector
- Rating : 3 to 30 Vdc, 20 mA Max.
- Pulse Rate : 1)Scale pulse, (Pulse/M3, Pulse/L, Other)
- : 2)Frequency, 0-5000 Hz
- Pulse Width : 50% of band width
- Alarms : High/Low with open collector output
- Rating : 3 to 30 Vdc, 20 mA Max.
- Communication : RS 485(MODBUS Protocol)
- : HART signal
- Data Storage : Operation parameters and totalization
- figures are stored by EEPROM for more than 10 years
- Keyboard : 3 keys from external for programming and display control.
- Remote 3 keyboard switch, can be programming without open the cover
- Low Flow Cutoff : 0 to 9.9 %
- Datalogger Function : 99times flowrate records for power on/off
- Record Data : Date/Time when Power on/off
- : Flow rate when Power on/off
- : Totalizer when Power on/off
- Damping : 0 to 99 Second
- Density Setting : 0.1 to 9.99 g/cm3
- Self Diagnosis : The following error message is indicated during application
- Coil fail
- Power fail
- Output overanged
- Internal error
- Overflow
- Empty pipe
- Cable Entry : 2 X M20 , PG11
- Protection Class : IP 67, Explosion proof,Exd(ib)ibqllBT5
- Ambient Temperature : -25 to +65 °C
- Material : Aluminum Alloy
- Power Supply : 90-260 Vac, 50/60 Hz
- : 24Vdc +/-10%(Option)
- Power Consumption : 3-17 W (depending on the sensor size)
- Weight : 4.5 Kg
- Mounting : Wall mounting
- : Bracket on 2" pipe

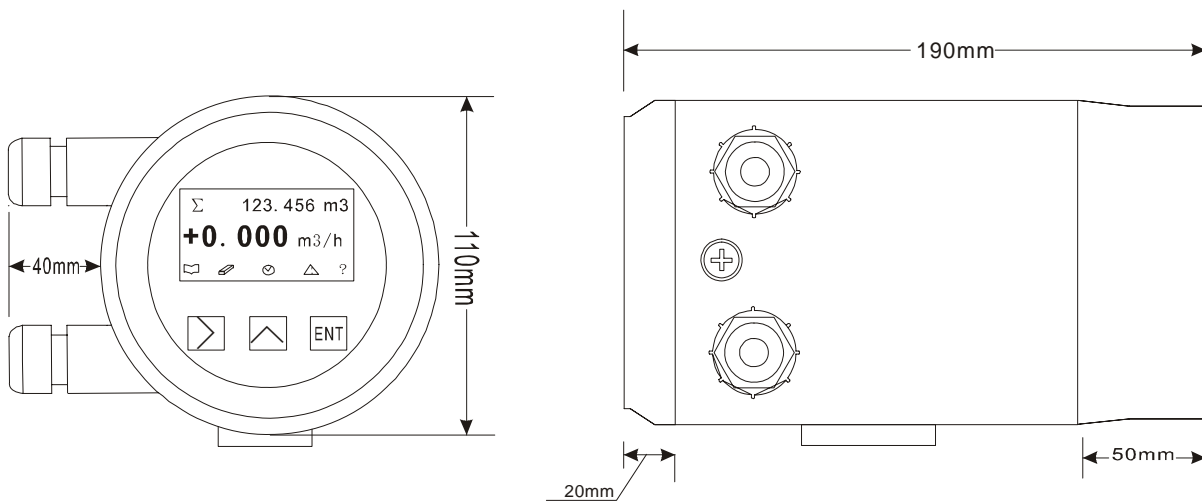


## ALIA GROUP INC.

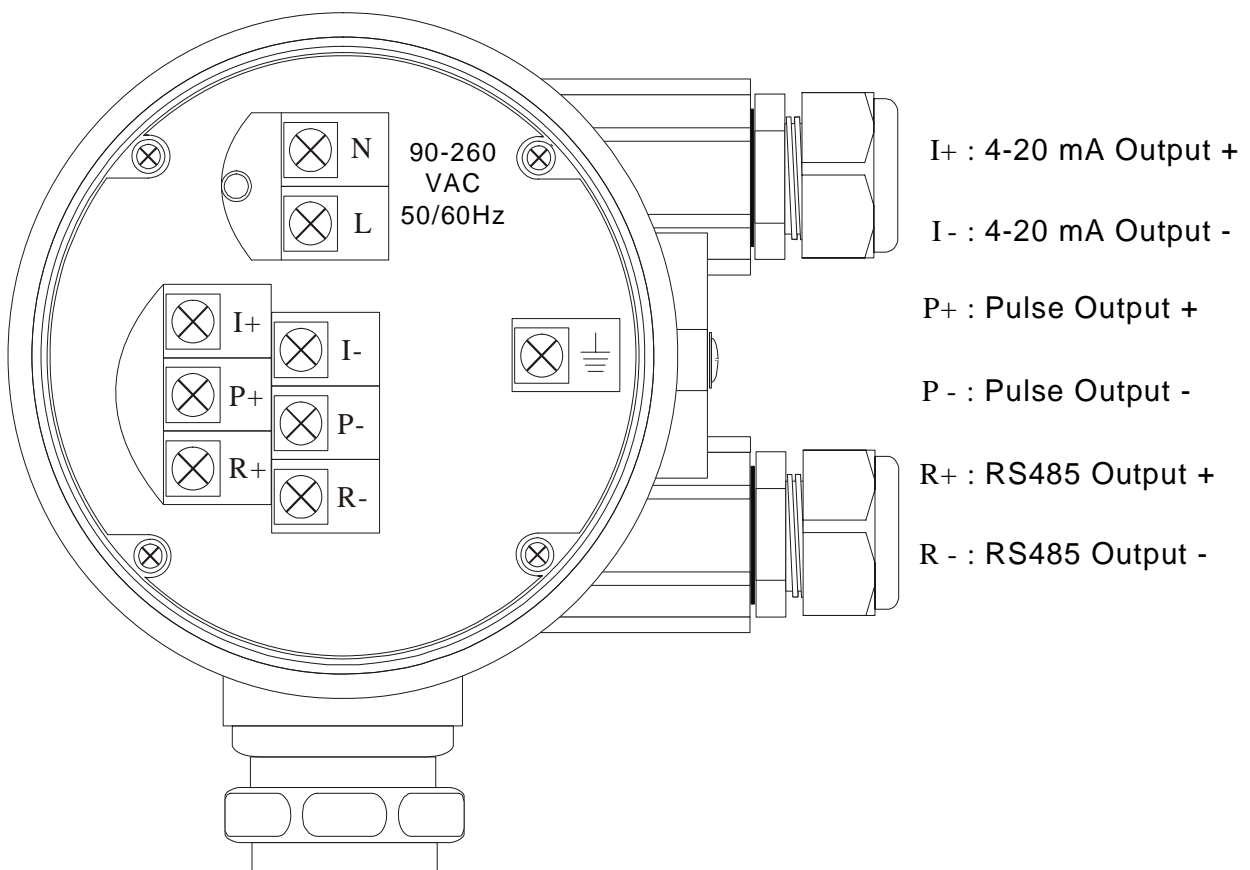
113 Barksdale Professional Center, Newark, DE 19711, USA  
TEL : + 1 - 302 - 213 - 0106      FAX : + 1 - 302 - 213 - 0107

URL : [www.alia-inc.com](http://www.alia-inc.com)  
E-mail : [alia@alia-inc.com](mailto:alia@alia-inc.com)  
AMC3100V1.1.7en

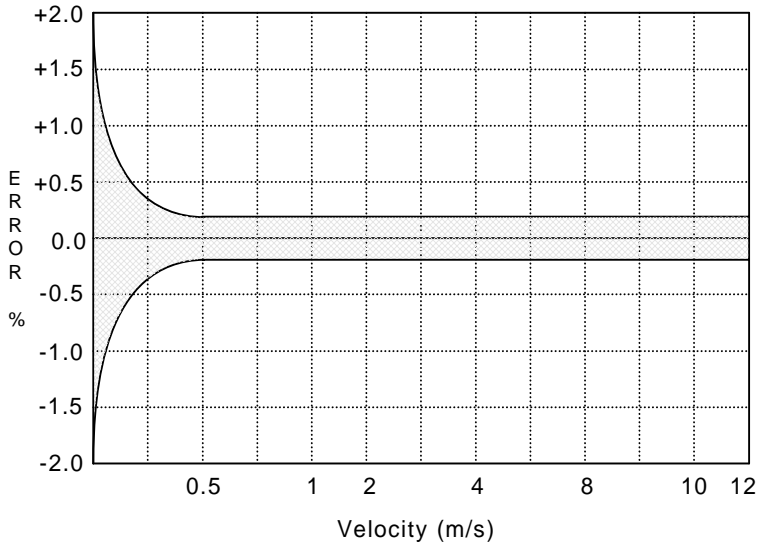
**➤ DIMENSION**



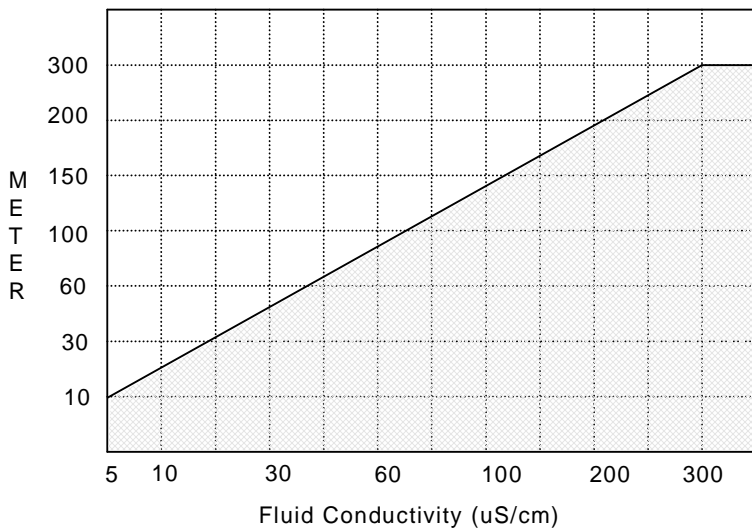
**➤ ELECTRICAL CONNECTION**



**➤ ACCURACY**



**➤ CABLE LENGTH BETWEEN SENSOR TO CONVERTER**



**➤ MODEL SELECTION GUIDE**

AMC3100 Series					
Example: AMC3100-AC-CP-EX-HT					
AMC3100-	XX-	XX-	XX-	XX	Description
Power supply	AC-				90-260 Vac, 50/60 Hz
	DC-				24Vdc, +/-10%
Mounting		CP-			Compact with Sensor
			SW-		Separate, wall mounting
				S2-	Separate, 2" mounting bracket
Enclosure			NN-		IP67
				EX-	Explosion Proof, Exd(ib)IIBT5
Communication				NN	RS 485(MODBUS Protocol)
				HT	HART signal

COMPACT STRUCTURE

