

GENERAL

ALIAMAG AMC2100 series Converter can be used with AMF series flow tubes in both compact or separate versions.

FEATURES

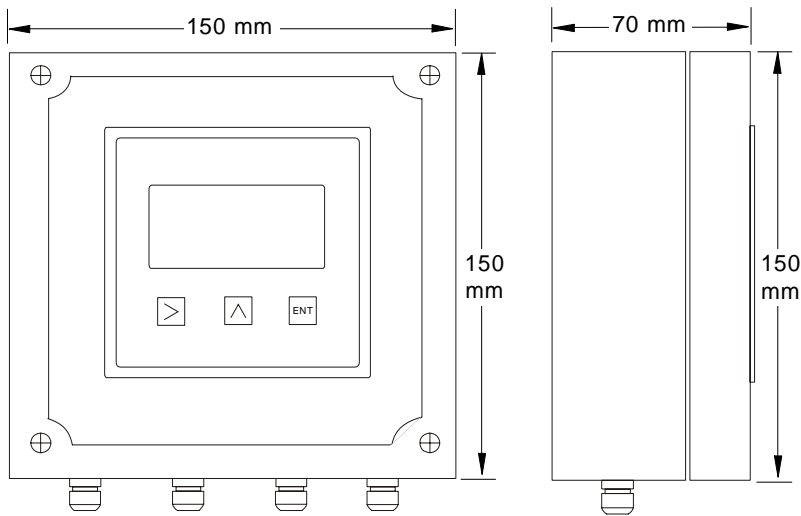
- ❑ Three line LCD display Flow rate/Totalizer
- ❑ Accuracy of +/-0.4% value of reading
- ❑ Bi-directional flow measurement, current and pulse output
- ❑ Large digital display
- ❑ 99 times flowrate records for power on/off
- ❑ MODBUS/HART communication

STANDARD SPECIFICATION

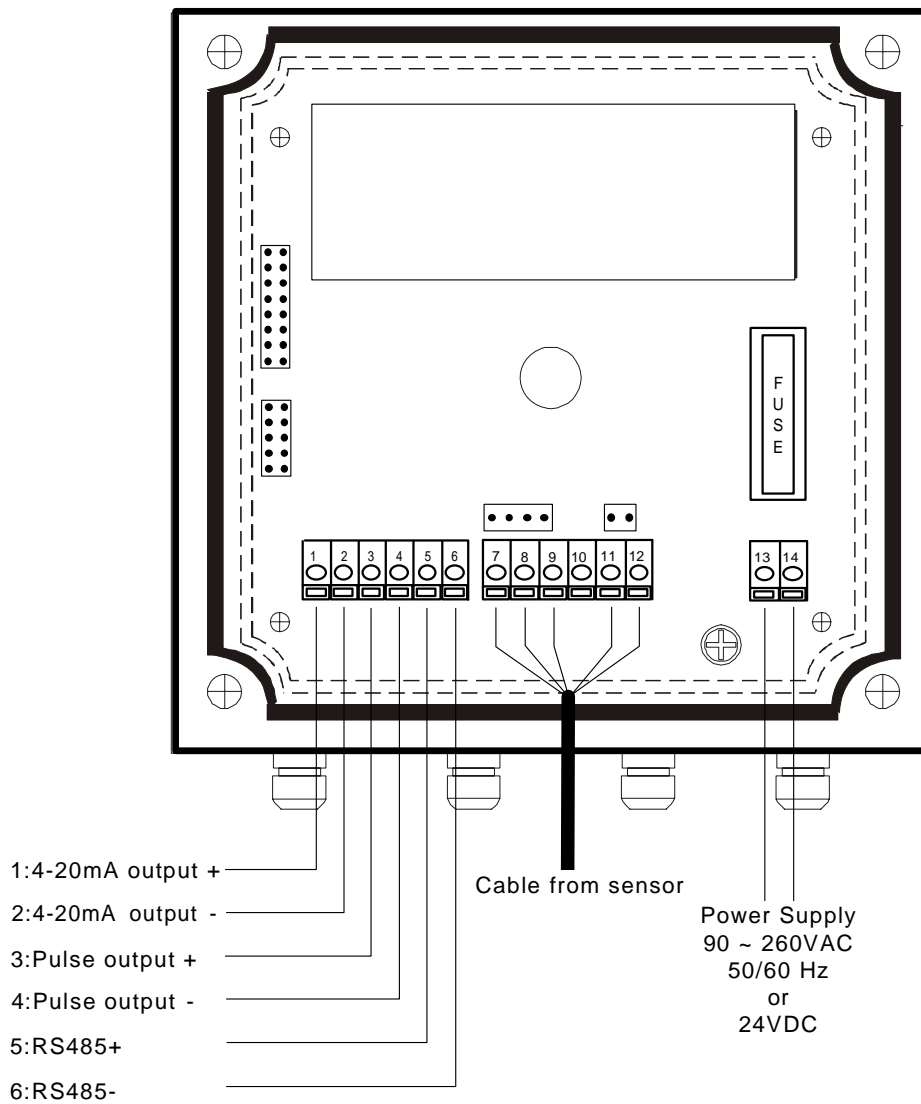
- Excitation : Square wave
- Display : 3 lines LCD with illumination
 - Line 1 : 11 digit totalizer for forward flow
11 digit totalizer for reverse flow
11 digit totalizer for difference
 - Line 2 : 5 digit flowrate / Velocity / % / mA / HZ
 - Line 3 : Parameter / Query / Clr tot / Query LOG
Alarm, Guidance
 - Unit : M3/H , L/H , Kg/H , T/H , L/min
M3/min , GPH , GPM
- Measuring Range : Min. 0 to 0.15 m/s
: Max. 0 to 15 m/s
- Accuracy : +/-0.4% read-out values (Velocity >= 0.5 m/s)
: +/-0.002 m/s (Velocity < 0.5 m/s)
- Repeatability : +/-0.1% read-out values
- Current Output : 4-20 mA (Isolated)
Load : Max. 600 Ω
- Pulse output : Open collector
Rating : 3 to 30 VDC, 20 mA Max.
- Pulse Rate : 1)Scale pulse, (Pulse/M3, Pulse/L, Other)
: 2)Frequency, 0-5000 Hz
- Pulse Width : 50% of band width
- Alarms : High/Low with open collector output
Rating : 3 to 30 VDC, 20 mA Max.
- Communication : RS 485(MODBUS Protocol)
: HART signal
- Data Storage : Operation parameters and totalization figures are stored by EEPROM for more than 10 years
- Keyboard : 3 keys from external for programming and display control.
- Low Flow Cutoff : 0 to 9.9 %
- Datalogger Function : 99 times flowrate records for power on/off
- Record Data : Date/Time when Power on/off
: Flow rate when Power on/off
: Totalizer when Power on/off
- Damping : 0 to 99 Second
- Density Setting : 0.1 to 9.99 g/cm2
- Self Diagnosis : The following error message is indicated during application
 - Coil fail
 - Power fail
 - Output overranged
 - Internal error
 - Overflow
 - Empty pipe
- Cable Entry : PG11
- Protection Class : IP 65
- Ambient Temperature : -25 to +65 °C
- Material : Aluminum Alloy
- Power Supply : 90-260 VAC, 50/60 Hz
: 24VDC +/-10%(Option)
- Power Consumption : 3-17 W (depending on the sensor size)
- Weight : 1.4 Kg
- Mounting : Wall mounting
: Bracket on 2" pipe



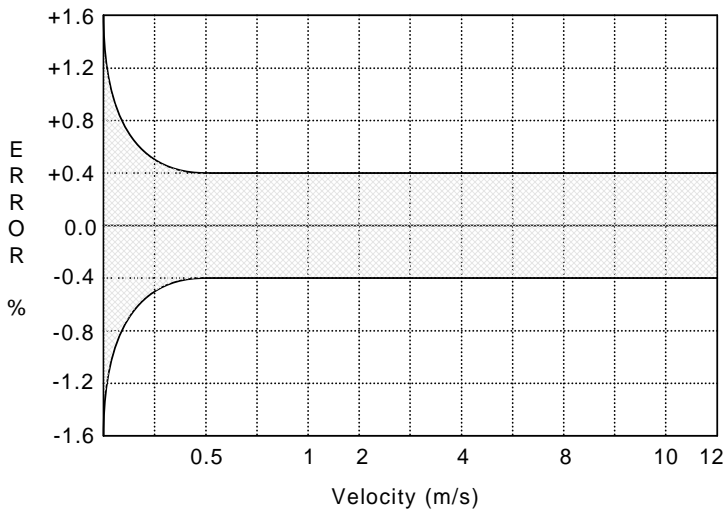
➤ DIMENSION



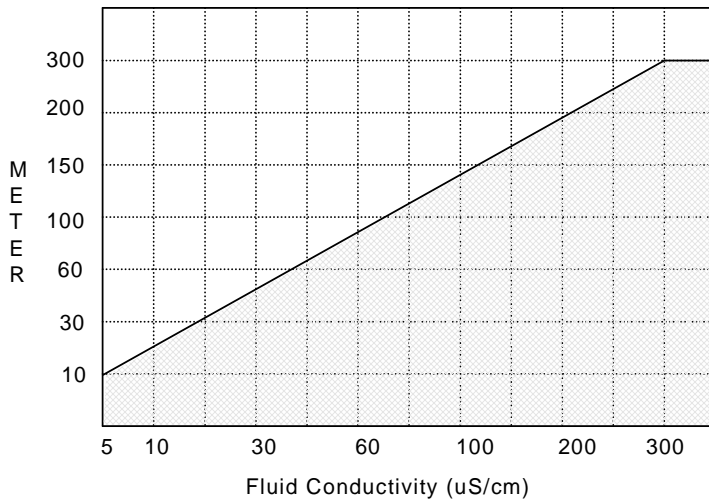
➤ ELECTRICAL CONNECTION



➤ ACCURACY



➤ CABLE LENGTH BETWEEN SENSOR TO CONVERTER



➤ MODEL SELECTION GUIDE

AMC2100 Series				
Example: AMC2100-AC-CP-HT				
AMC2100-	XX-	XX-	XX	Description
Power supply	AC-			90-260 Vac, 50/60 Hz
	DC-			24Vdc, +/-10%
Mounting		CP-		Compact with Sensor
		SW-		Separate, wall mounting
		S2-		Separate, 2" mounting bracket
Communication		NN		RS 485(MODBUS Protocol)
		HT		HART signal

COMPACT STRUCTURE

