



GENERAL

ALIACOM AHT520 Series HART communicator is a PC communication link to HART networks for commissioning, servicing, calibrating, or acquiring data from any Hart instrument or transmitter. AHT520 with a friendly user interface, enables you to set and check instrument parameters such as tag numbers and ranges, outputs, and view data.

FEATURES

- ❑ Compatible with HART products from multiple manufacturers
- ❑ No external power supply required, using USB port from notebook/PC to power
- ❑ compact size 2.9" x 2.5" x 0.85" (73mm x 64mm x 22mm)
- ❑ Rugged Aluminum Alloy enclosure
- ❑ Polarity insensitive so you may attach either one of the test clips to positive or negative poles
- ❑ Standard USB Type A connector.
- ❑ USB 1.1 and 2.0 compatible.
- ❑ Hart communicator programming software included.

SPECIFICATION

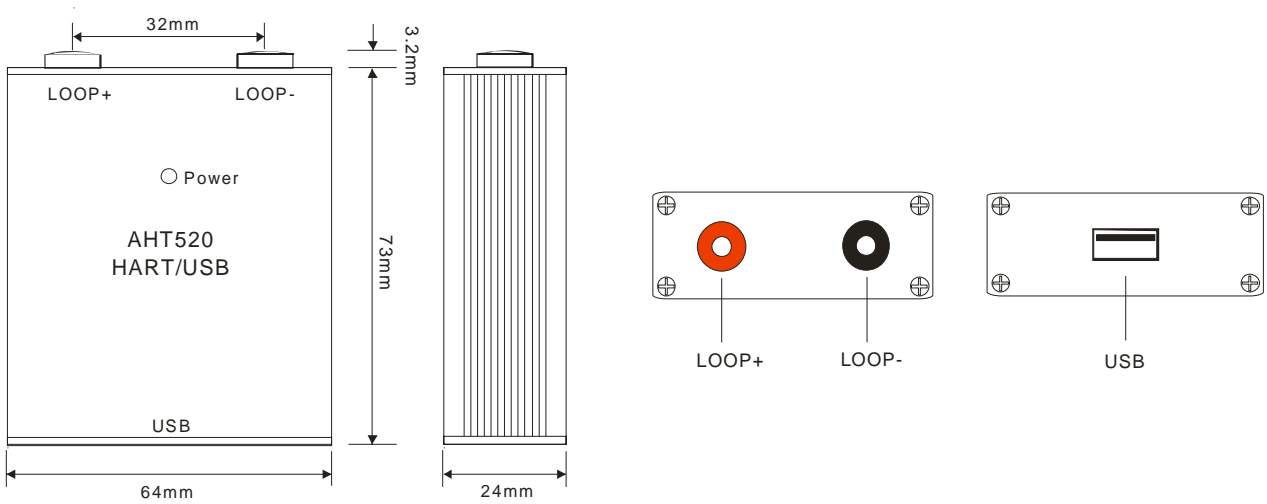
- Power supply : System Power by USB Port
- Supply Current : 40 mA @ +5VDC
- Output Level : 0.5 +/- 0.1 Vpp trapezoidal wave
- Isolation : 1500 VDC between instrument and Computer
- Suspend Current : Less then 200 uA Typical
- EMI/RFI Effect : Follow SAMA PMC 33.1 from 20 to 1000 MHz and for field strengths up to 30 V/m
- Protection : IP54
- USB Interface : USB 1.1 and USB 2.0
- Pin to Hart Device : Two Mini-Grabber test clips
Length : 1.0 M
- Pins to Computer : USB connector
Length : 1.5 M
- Operating Temperatur : 0 °C to 55 °C
- Storage Temperature : -40 °C to 85 °C
- Storage Humidity : 0% to 98% relative humidity
- Enclosure : Aluminum alloy housing with impact-resistant performance



- System Requirements :
 - Operating System : Windows 98 / 2000 / XP / Win7
 - Display : 800x600 or better resolution
 - Hard Disk Drive : 1GB space or more
 - Main Memory : 256Mb or more
 - Function : Parameter Manager
: DTM works
- Parameter Storage : save as TXT files
- Dimensions : 73mm(L) X 64mm(W) X 24mm(H)
: 2.9"(L) x 2.5"(W) x 0.85"(H)
- CE Mark : The AHT520 meets the legal requirements of the EC directives
- weight : 0.15 Kg(0.33 lb)
- Standard package Include
 - : ATH520 Hart Communicator * 1 set
 - : Mini-Grabber test clip(1.0M) * 1 pair
 - : USB connector(1.5M) * 1 set
 - : CD Rom (DTM & Driver inside) * 1set



➤ DIMENSIONS



➤ APPLICATIONS

